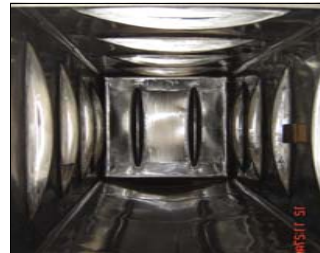




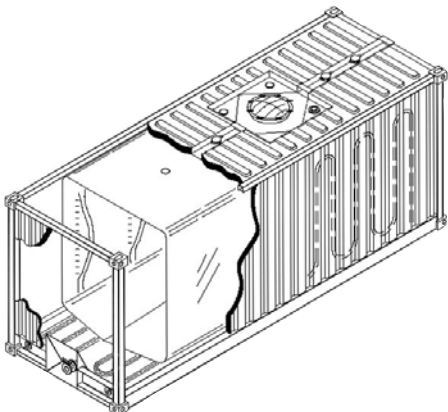
Rugged exterior

Below : Oiled Steel Inside



FEATURES:

- * Patented Inner Tank
- * Lower capital investment
- * Carry up to 30% every time
- * Super Strong and Reliable
- * Complies with food carriage regulations.



Current users of Armech Products:

- **Caltex**
- **Chevron Texaco**
- **Shell**
- **BP**

Design features include:

- * Ideal for Lube / Base Oil movements
- * Fitments and manway as for conventional tanks
- * Nominal volumetric capacity (all units 20ft): 27,500L / 28,500 L
- * Lloyd's approved for international shipment as a std tank container.
- * 0.35 Bar Max Test Pressure
- * IMO 0, Type 70 - ISO 1496 Pt 3 "Tank Container" Classification.
- * Strong double skin construction.
- * Carries up to 30% more every journey.
- * Internal baffles prevent dynamic movement of product; May 1/2 load.
- * Ideal for storage also.
- * Easy to clean with internal cleaning with self cleaning system integral.
- * Corten Steel Inner Tank—Easy clean—Excellent Drainage

* Less investment → Lower Prices → Rental Option

Nominal Ratings:

Max Gross Weight MGW:	35,000 Kgs (77140 lb)
Max Payload:	30,500 Kgs (67222 lb)
Tare Weight:	4,500 Kgs (9918 lb)

Length:	6058 mm (20')
Width:	2438 mm (8')
Height:	2591 mm (8ft 6")

Tectainer Products Inc:

Bulk Containers

20ft and 40ft Full Opening Side Door Containers

Waste-management Containers

Open-top, GPs & Flatracks

LPG T50 tanks

27 tonne Bitumen tanks

28,000 ltr Lubricant & Oil Tanks

70 m3 Petrochem storage Tanks

26,000 ltr tank containers

28,000 ltr Food tanks

